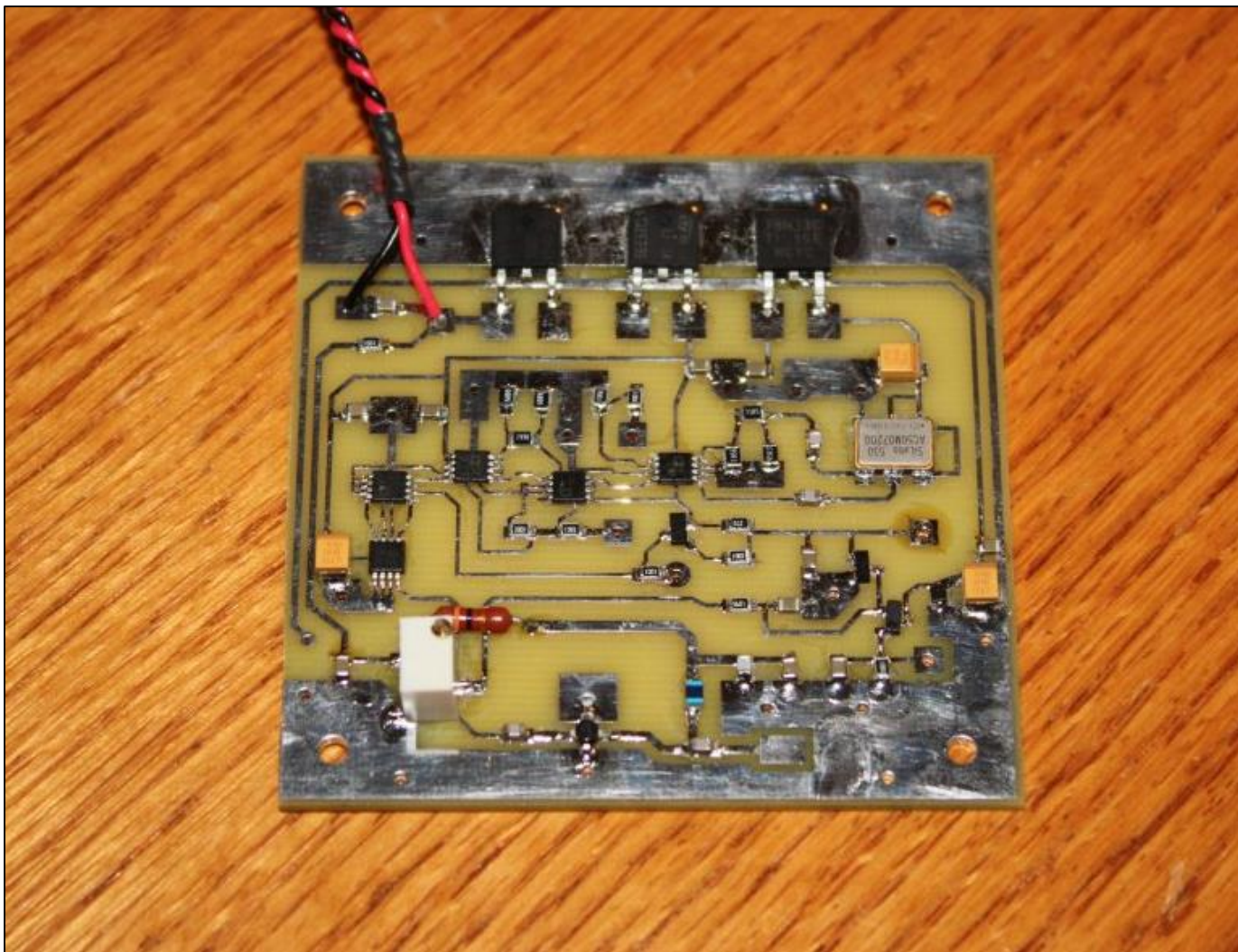


50 MHz BEACON

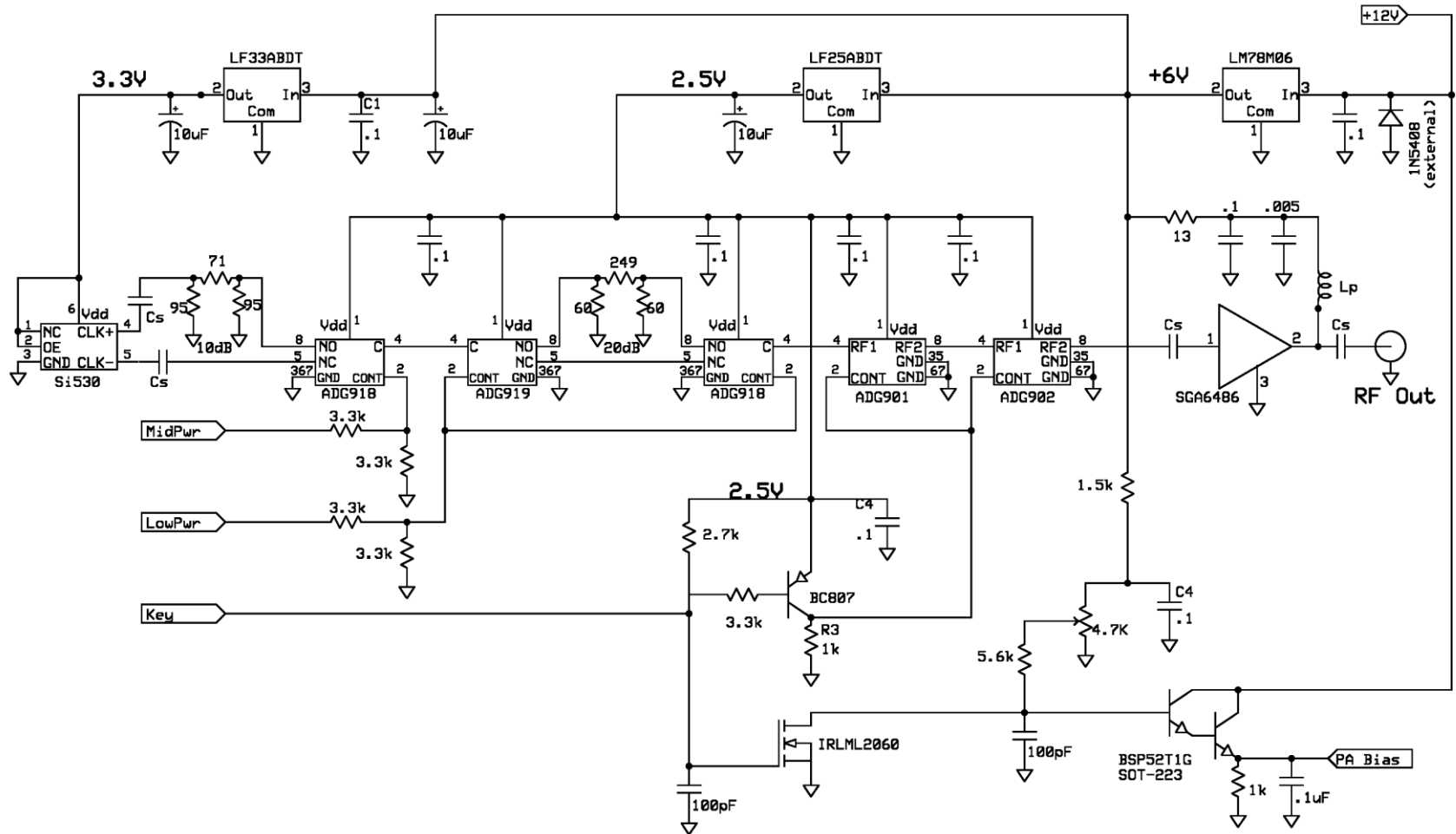


For Guadalupe Valley Radio Club

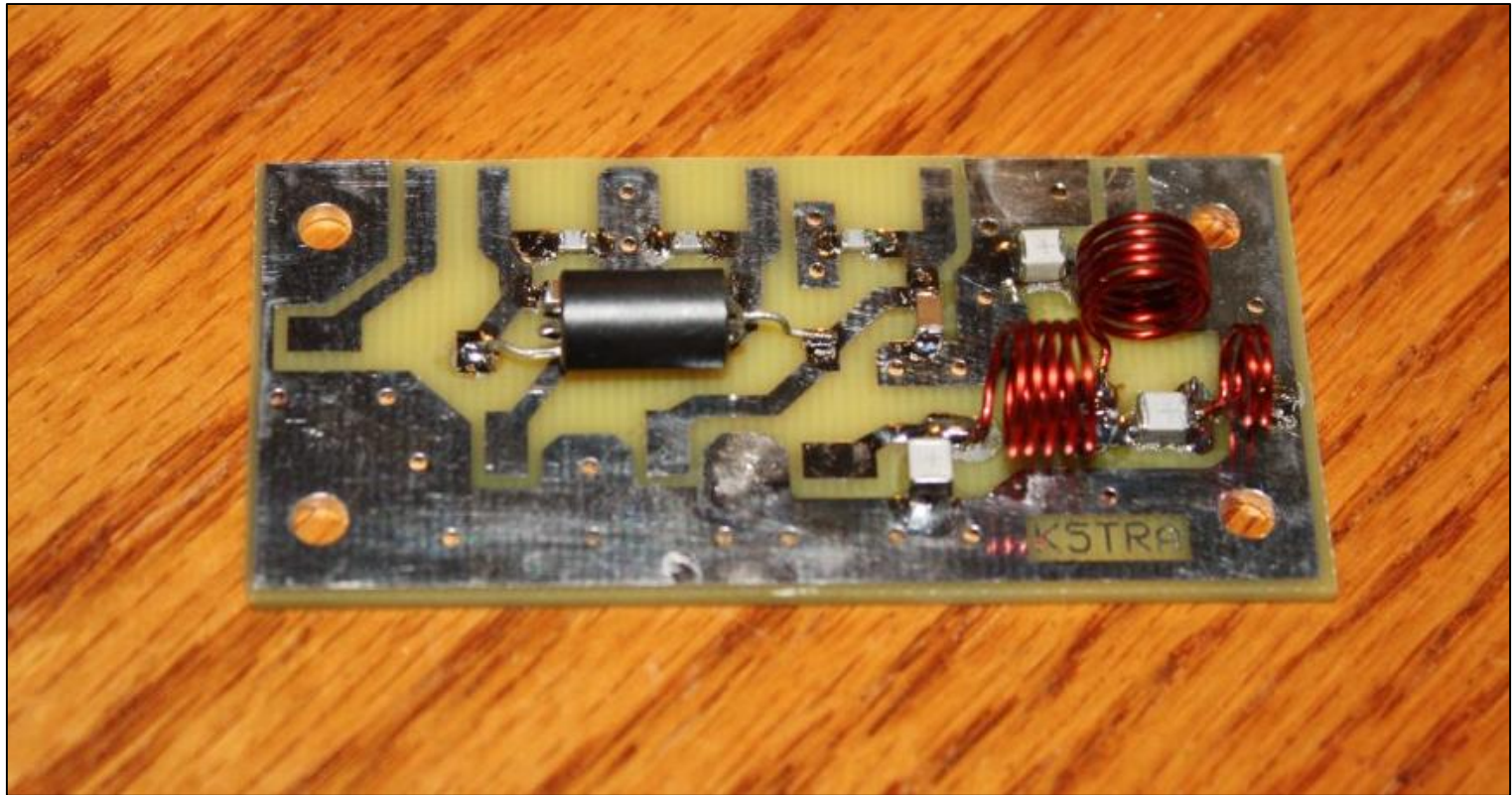
50 MHz BEACON – RF BOARD



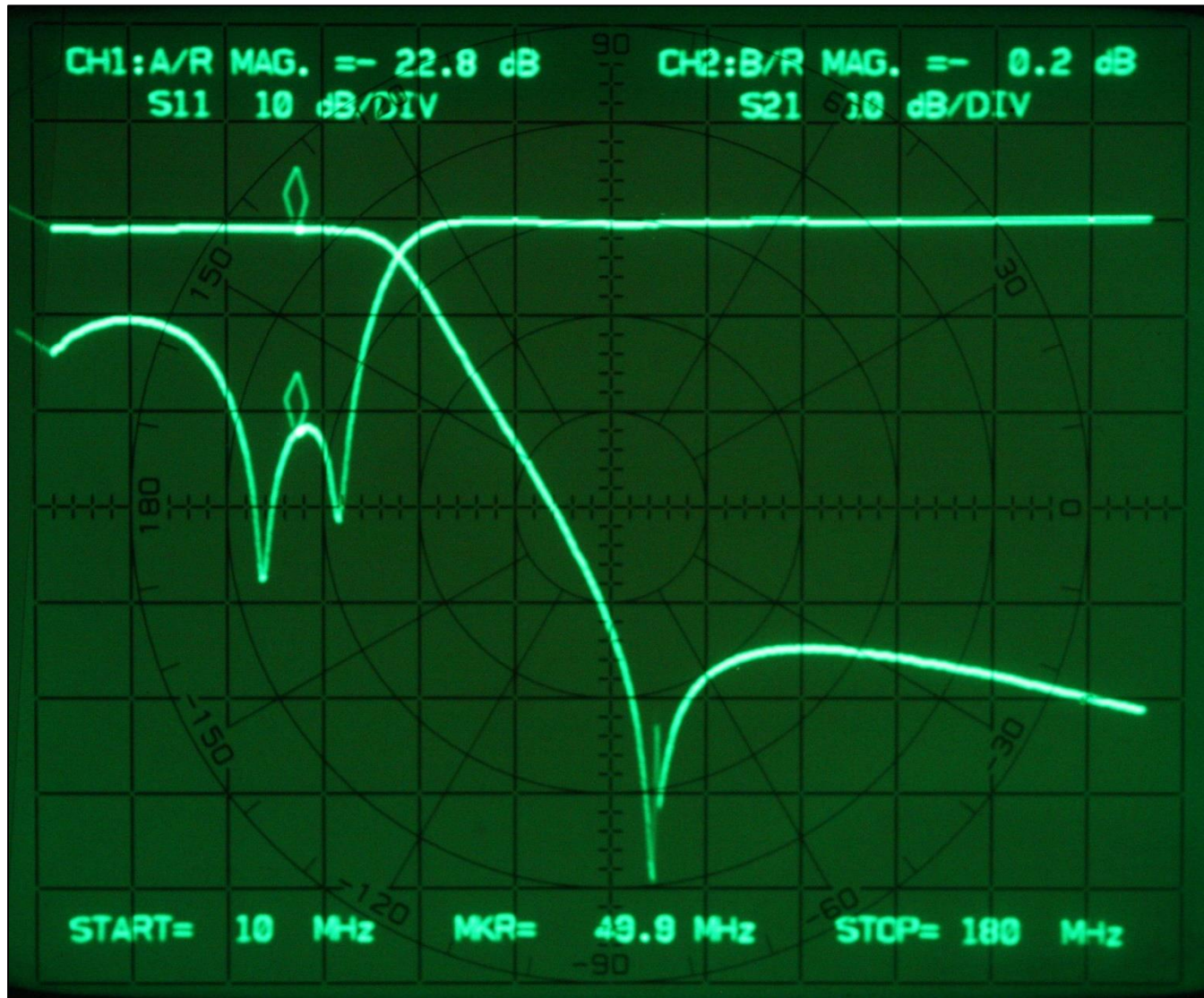
RF BOARD SCHEMATIC



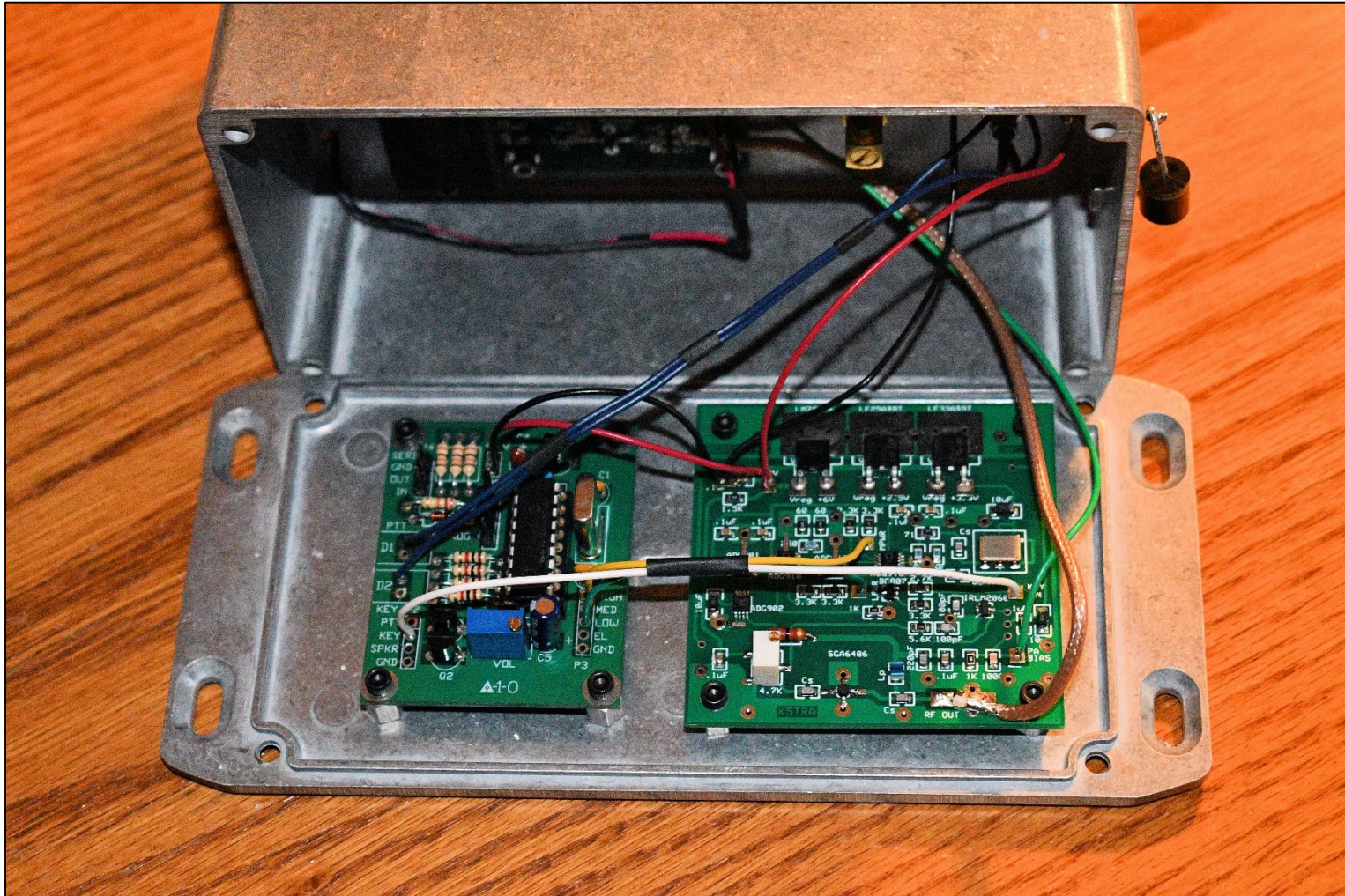
50 MHz BEACON PA BOARD



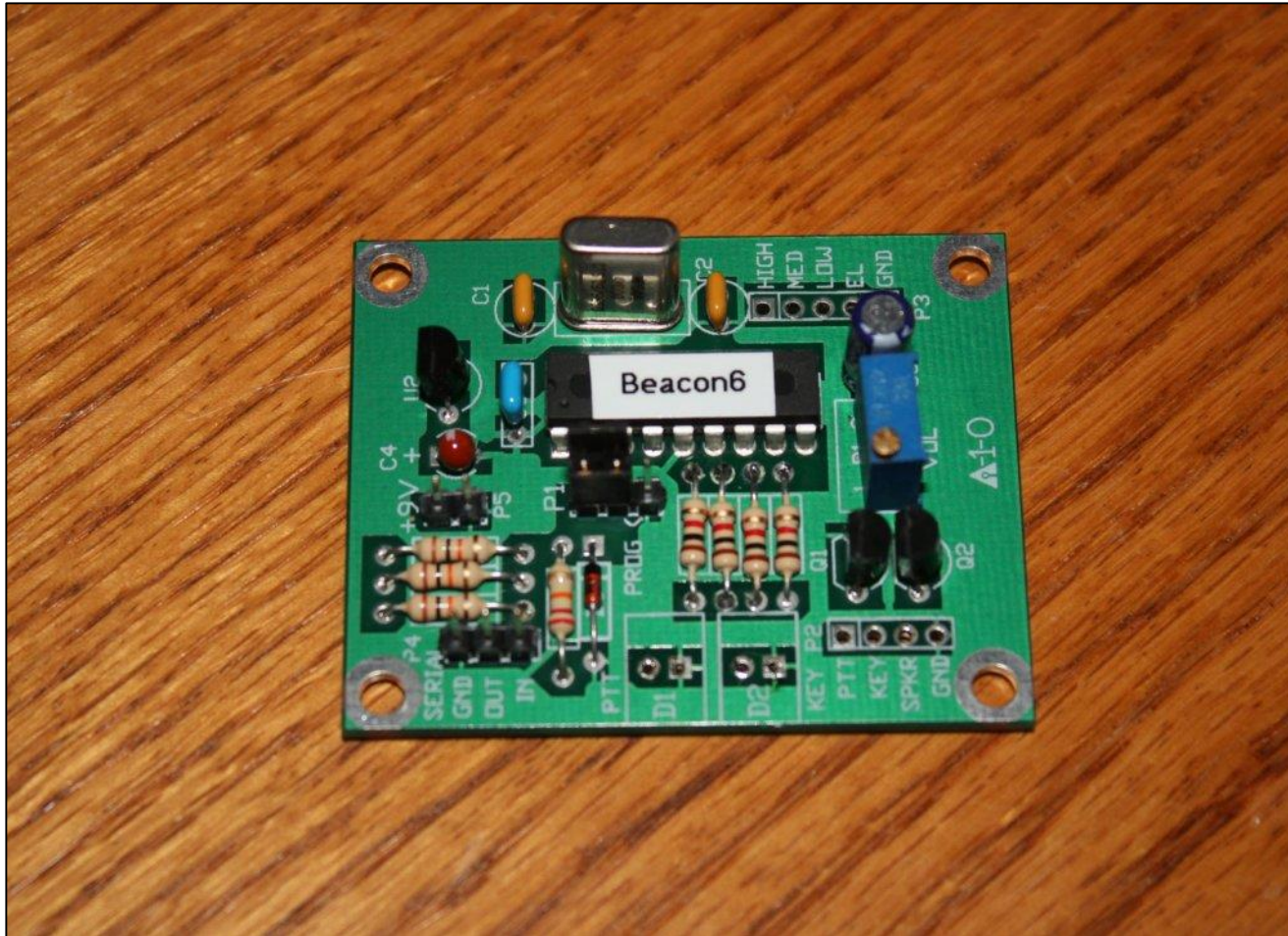
50 MHz LPF RESPONSE



50 MHz BEACON INTERIOR



FREAKIN BEACON CONTROL BOARD



Summary

- New 50 MHz beacon – 3 power levels
 - 10 W
 - 1 W
 - 100 mW
- Common RF and control board design
- PA interface board with LPF
- Mitsubishi PA module: RA18H1213G
- 50.072 MHz beacon built for:

Guadalupe Valley Radio Club